

WACKY DUCKS™



OWNERS AND SERVICE MANUAL INNOVATIVE CONCEPTS IN ENTERTAINMENT INC.

10123 MAIN STREET, CLARENCE, NY 14031

SERVICE: 1-716-759-0360

FAX: 1-716-759-0884

E-MAIL: service@icegame.com

WEBSITE: www.icegame.com

TABLE OF CONTENTS

INTRODUCTION.....	PAGE 3
• GAME FEATURES	
• GAME PLAY	
ASSEMBLY.....	PAGE 4 & 5
• BEFORE YOU BEGIN	
• TOOLS NEEDED	
• INSTALLATION	
• SETTING A.C. LINE VOLTAGE ADJUSTMENTS	
SET-UP / TESTING.....	PAGE 6 - 9
• SAFETY PRECAUTIONS	
• PROGRAMMING YOUR GAME	
• OPTION MODES	
• TESTING	
SET-UP / TESTING (NEW JERSEY).....	PAGE 10 - 13
• SAFETY PRECAUTIONS	
• PROGRAMMING YOUR GAME	
• OPTION MODES	
• TESTING	
QUICK TROUBLESHOOTING.....	PAGE 14
• PROBLEMS & SOLUTIONS	
REPAIR.....	PAGE 15 - 21
• OPERATIONAL BACKGROUND	
• MECHANICAL REPAIR	
• ELECTRICAL / ELECTRONIC REPAIR	
• MAINTENANCE	
PARTS LISTINGS.....	PAGE 22
SCHEMATICS & WIRING DIAGRAMS.....	PAGE 23 - 35
ASSEMBLIES.....	PAGE 36 - 37
WARRANTY INFORMATION.....	PAGE 38

INTRODUCTION

GAME FEATURES

Thank you for your purchase of the new WACKY DUCKS™ redemption game from I.C.E.

Through an exclusive agreement with JUPITER GAMES, I.C.E. is able to bring you an innovative product with all of the features and reliability you've come to expect in our games.

The game is constructed of a quality 7 ply MDO plywood cabinet. The cabinet is then sealed, painted and decal using laminated graphics that resist most common cleaning agents. All metal parts are powder coated for maximum beauty and durability.

The game uses creative lighting techniques to draw game players to it and to enhance game enjoyment. Long lasting rope light is used for the marquee that is mounted behind a multi-color graphics panel to create an attractive rainbow pattern. Flashing ducks and super bright sign grade florescent lighting round out the lighting package.

A unique cartoon like Punching Glove on a scissors mechanism gives the game a fun way for Kids to play the game. The mechanism has been extensively tested for durability and reliability. The solenoid coil that drives the mechanism is fan cooled and thermally protected. The coil is also operated on low voltage D.C. power.

The game electronics are at the same time high tech, yet all drive components are chosen for their long history of reliability. Surface mount components and programmable logic arrays keep the board size to a minimum and the reliability to the maximum.

A high quality digital audio amplifier is used to recreate some of the funniest sounds you'll ever hear in a game. A variety of funny duck sounds will keep you laughing for hours on end.

The ducks move along a belt that is powered by a heavy-duty 12-volt gear motor. This motor has been chosen for its long lasting and cool running capabilities. It has a full-length drive shaft for greater reliability.

All electronics are fully operator adjustable and are adjusted via convenient programming buttons located just inside the coin door. The game allows the operator to choose a timed game or a random hit game depending on the operators' location. (Please see the Game Play section below and the programming section for further information).

GAME PLAY

The game can be set up to be played in two different ways. Both ways are described below.

TIMED GAME

The player inserts their money into the game to begin. Behind the row of ducks are Frog displays that have a "time" indicator on them. Once the player tries to hit his first duck, the count down timer will begin. (The timer will also begin if the player does nothing for ten seconds or more). Once the timer begins, the player needs to hit as many ducks as possible before time runs out.

The player will be awarded tickets based on how many ducks have been knocked down. The player may also receive "mercy" tickets if they were unable to hit any ducks.

ONE HIT GAME

In this version of the game, the player inserts his money to start the game. Then the Frog display will show a random number of "Tickets" that can be won. This number will constantly continue to change during game play. The player can hit the punch button multiple times, however the game ends once the player hits a duck. The player then wins the tickets that were displayed at the time of the hit.

NOTE: This game is generally set up as a "One Hit" game. The operator can however set the game up for a different predetermined number of hits.

ASSEMBLY

BEFORE YOU BEGIN

WARNING: WHEN INSTALLING THIS GAME, A 3 PRONG GROUNDED A.C. RECEPTACLE MUST BE USED. FAILURE TO DO SO COULD RESULT IN INJURY TO YOURSELF OR OTHERS. FAILURE TO USE A GROUNDED RECEPTACLE COULD ALSO CAUSE IMPROPER GAME OPERATION, OR DAMAGE TO THE ELECTRONICS

DO NOT DEFEAT OR REMOVE THE GROUNDING PRONG ON THE POWER CORD FOR THE SAME REASON AS GIVEN ABOVE. USING AN IMPROPERLY GROUNDED GAME COULD VOID YOUR WARRANTY.

HAVE A QUALIFIED ELECTRICIAN CHECK YOU'RE A.C. RECEPTACLE TO BE SURE THE GROUND IS FUNCTIONING PROPERLY.

TOOLS NEEDED

To assemble your game you will need a 7/16" socket or box wrench.

Note: For normal game servicing you will need two different size Allen wrenches which are provided.

INSTALLATION

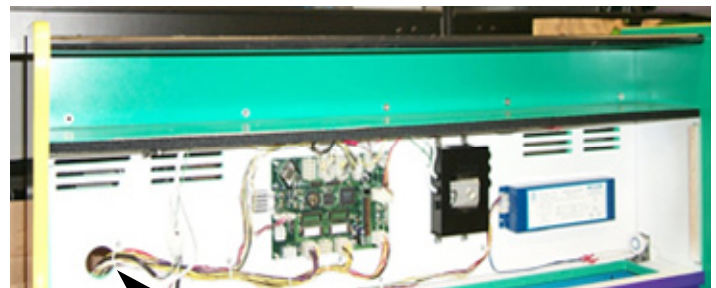
1. Remove the cardboard box from the pallet.
2. Cut banding that holds the game to the pallet.

NOTE: BE SURE TO STAND TO THE SIDE WHEN CUTTING THE BANDS, AS THEY ARE UNDER PRESSURE, AND COULD SPRING OUT CAUSING INJURY.

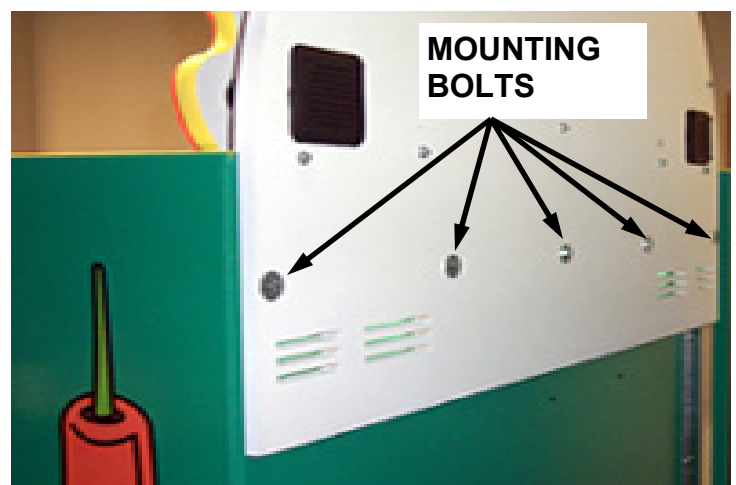
3. Remove all of the shrink-wrap and packaging from the game and marquee.
4. Find the location that the game will be placed in and move into rough position.
5. Remove the "Wacky Ducks™" sign on the front of the game by rotating the two locks, and lifting up on them.



6. Remove the 7/16" bolts and fender washers from the rear of the game. There are five of these.



7. Get someone to help and move the Duck / rainbow marquee into position. Insert the rope light and speaker wires through the hole in the back of the game. Tighten the bolts to the marquee.



8. Inside the game, connect the rope light and speaker wires.

ASSEMBLY

SETTING A.C. LINE VOLTAGES

The game comes with 4 available line voltage settings as described below. These settings should be used to provide A.C. power in the correct range to the game without over or under powering it.

POWER RANGE	VOLTAGE SETTING
90-110 V.A.C.	115
110-130 V.A.C.	125
200-220 V.A.C.	230
220-250 V.A.C.	250

The game uses a POWER MODULE to handle all of the A.C. power distribution chores of the game. It incorporates an On-Off switch, primary A.C. game fusing, and power switching capabilities. This allows the game to be used with a wide variety of A.C. voltages by re-strapping the main transformer.

A.C. LINE VOLTAGE ADJUSTMENT

To adjust the game for a different A.C. voltage:

- Unplug the game from the outlet.
- Disconnect the power cord from the power module.
- Using a small flat blade screwdriver, pry the fuse holder from the power module.
- Notice a small window on the fuse holder with an arrow that points to the voltage the game is presently set at.
- Using a small flat blade screwdriver, lift the retaining tab that holds the voltage selector in the fuse holder.
- Rotate the voltage selector until the voltage you want is displayed in the voltage select window.
- Push the voltage selector back into the fuse holder until it snaps into place. NOTE: Do not force the selector into the fuse holder. If it does not go in easily, it is not being installed correctly.

- Snap the fuse holder assembly back into the power module.
- Plug the power cord back into the receptacle in the power module, and into the wall outlet.

NOTE: WHEN CHANGING VOLTAGES FROM THE 115-125 TO 230-250 RANGE, LOWER THE MAIN FUSE AMPERAGE VALUE BY ½.

WHEN CHANGING FROM THE 230-250 TO 115-125 VOLT RANGE, DOUBLE THE MAIN FUSE AMPERAGE VALUE.

Plug the game in, turn the power on and play a couple of game. Pay attention to the sound volume of the game.

ADJUSTING VOLUME

There are two volume control potentiometers on the Main P.C. Board. The top one controls the theme music and the bottom one controls the sound effects such as Duck sounds, etc. Adjust these during game play.

FINAL ASSEMBLY

After the volume is adjusted, proceed to the set up / testing section to prepare the game for your location. When all testing is done, re-install the "Wacky Ducks™ Sign, remove the keys, and roll the game into its final location. Lower the adjustable leg levelers to keep the game from moving.

YOUR GAME IS NOW READY TO PLAY. IF YOU HAVE ANY FURTHER QUESTIONS OR COMMENTS REGARDING THE GAME, PLEASE CALL OUR SERVICE DEPARTMENT AT 1-716-859-0360

SET-UP / TESTING

SAFETY PRECAUTIONS

WARNING: WHEN INSTALLING THIS GAME, A 3 PRONG GROUNDED A.C. RECEPTACLE MUST BE USED. FAILURE TO DO SO COULD RESULT IN INJURY TO YOURSELF OR OTHERS. FAILURE TO USE A GROUNDED RECEPTACLE COULD ALSO CAUSE IMPROPER GAME OPERATION, OR DAMAGE TO THE ELECTRONICS

DO NOT DEFEAT OR REMOVE THE GROUNDING PRONG ON THE POWER CORD FOR THE SAME REASON AS GIVEN ABOVE. USING AN IMPROPERLY GROUNDED GAME COULD VOID YOUR WARRANTY.

HAVE A QUALIFIED ELECTRICIAN CHECK YOU'RE A.C. RECEPTACLE TO BE SURE THE GROUND IS FUNCTIONING PROPERLY.

REPLACE ALL INCANDESCENT BULBS WITH PROPER ICE SUPPLIED BULBS ONLY.

PROGRAMMING YOUR GAME

This section will give you a detailed explanation of the functions and operating characteristics of each of the programming buttons.

PLEASE READ THIS SECTION CAREFULLY TO AVOID PROBLEMS WITH YOUR GAME.

PLEASE NOTE: THE PROGRAMMING AND TICKET RESET BUTTONS ARE LOCATED INSIDE THE LEFT HAND COIN DOOR. ADDITIONALLY, THERE IS A SINGLE TICKET RESET BUTTON INSIDE THE RIGHT HAND COIN DOOR.

DISPLAY INFORMATION

THE RIGHT HAND FROG DISPLAY WILL SHOW YOU THE **OPTION** YOU ARE IN. THE LEFT HAND DISPLAY WILL SHOW THE **VALUE OR SETTING** FOR THAT OPTION.

PROGRAMMING BUTTON

Press this button to enter or exit the PROGRAMMING mode. You will notice when you are in the Programming mode, as the displays in the Frogs will change.

SELECT BUTTON

This button is used to change from one option to the next. When this button is pushed, the option number is shown in the display window of the RIGHT HAND Frog.

ADVANCE

This button is used to change the value within the option. When this button is pushed, the value will be shown in the LEFT HAND Frog.

TICKET RESET BUTTON

When the game runs out of tickets, it keeps track of how many are owed. When more tickets are inserted, the game will attempt to dispense all of the tickets that are still owed. If the operator does not wish to dispense these tickets when reloading, press the "Ticket Reset" button BEFORE replacing the tickets. The tickets Reset buttons are located inside the coin doors.

OPTION MODES

MODE 0 (COINS PER CREDIT)

This option determines how many coins are necessary to start a game. The range for this game is 1-10. The default value for this mode is "1"

SET-UP / TESTING

MODE 1 (GAME LENGTH)

This mode determines how long the game lasts in SECONDS. The range for this value is 5-60. The default value for this game is "10"

MODE 2 (COIN OR CREDIT COUNTER)

This mode determines if the coin counter will count coins or credits. (Example: If it takes 3 coins to start a game, then 3 coins would equal 1 credit). Setting a "0" equals coins. Setting a "1" equals credits. The default value for this option is "0".

MODE 3 (TIME BETWEEN HITS)

This mode determines how long the game will make the player wait between hits of the punching glove. The number shown X 100 milliseconds equals the actual time. (Example: 10 X 100 milliseconds equal 1 second). The range for this option is 10-50 (1 to 5 seconds). The default value for this option is "10"

MODE 4 (DUCKS PER XX TICKET DISPENSE)

This option determines how many ducks must be knocked down each time XX tickets can be dispensed. (See OPTION 5 for value of XX) The range for this option is 1-9. The default value for this option is "1".

FOR EXAMPLE, if the value set in OPTION 4 is "2" and the value set in OPTION 5 is "3", the game would dispense 3 tickets for every 2 ducks knocked down.

MODE 5 (VALUE OF XX)

This option determines the number of tickets to dispense each time a dispense order is given by OPTION MODE 4. The range for this option is 1-9. The default value for this option is "1".

MODE 6 (JUST FOR PLAYING TICKETS)

This mode determines the amount of "Mercy" tickets paid to the customer on the event that they do not win any tickets during normal game play. The range for this option is 0-99. The default value for this option is "3"

NOTE: THIS OPTION FUNCTIONS IN THE TIMED GAME MODE ONLY.

MODE 7 (ATTRACT TIME)

This mode determines the period of time between attract modes. The numbers in this option represent minutes. The range for this option is 0-90. Setting a "0" equals turning the attract mode OFF. The default value for this option is "3"

MODE 8 (ATTRACT MODE TYPE)

This option determines which type of attract mode is set.

0= Mode Disabled
1= Audio only
2= Motion only
3= both motion and audio

The default value for this option is "3"

SET-UP / TESTING

MODE 9 (FACTORY RESET)

This mode has the capability to reset all options to the factory default values. The range for this option is 0-1. Setting a "1" will reset all values. The default value for this option is "0" (no reset)

NOTE: THE GAME CAN ALSO BE RESET TO FACTORY DEFAULT VALUES BY TURNING THE GAME OFF, REMOVING THE BATTERY FROM THE MAIN P.C. BOARD. , WAIT A FEW MINUTES THEN TURN THE GAME BACK ON.

THE ABOVE PROCEDURE IS ALSO VALUABLE IF FOR SOME REASON THE GAME ELECTRONICS WERE TO LOCK OR FREEZE UP.

GAME TESTING

After you have completed the set-up of your game, INSTALL TICKETS into the game, and play a few games to make sure everything is working properly. Check the following:

- Check the ticket dispenser to be sure the proper amount of tickets is given.
- Check to be sure the duck belt is tracking properly. If not, check the mechanical repair section for adjustment procedures.
- Be sure all external fasteners like those of the cover glass and puncher housings are installed and tight.

SET-UP / TESTING

ROPE LIGHTING

The rope light in the marquee is operated by a rope light controller located behind the WACKY DUCKS™ sign.

Determine which type of controller is installed in your game. (See photos)

If you have the type shown in the photo below, use the following instructions:

Check to see that the rope light controller is set as follows:

1. The "CHASE" mode switch should be set to position #2.
2. The "SPEED" mode knob should be turned fully clockwise, then rotated back about ¼ inch.

NOTE: THE "SOUND" MODE KNOB IS NOT USED.

If you have the type shown in the photo below, there are no adjustments. The fuse located at the bottom of the printed board is the only user serviceable item.



FUSE



- ← SOUND CONTROL
- ← SPEED CONTROL
- ← CHASE CONTROL

IF YOU HAVE ANY QUESTIONS REGARDING THE PROGRAMMING OPTIONS, PLEASE CONTACT OUR SERVICE DEPARTMENT

PHONE: 1-716-759-0360
FAX: 1-716-759-0884
E-MAIL: service@icegame.com

SET-UP / TESTING

NEW JERSEY

SAFETY PRECAUTIONS

WARNING: WHEN INSTALLING THIS GAME, A 3 PRONG GROUNDED A.C. RECEPTACLE MUST BE USED. FAILURE TO DO SO COULD RESULT IN INJURY TO YOURSELF OR OTHERS. FAILURE TO USE A GROUNDED RECEPTACLE COULD ALSO CAUSE IMPROPER GAME OPERATION, OR DAMAGE TO THE ELECTRONICS

DO NOT DEFEAT OR REMOVE THE GROUNDING PRONG ON THE POWER CORD FOR THE SAME REASON AS GIVEN ABOVE. USING AN IMPROPERLY GROUNDED GAME COULD VOID YOUR WARRANTY.

HAVE A QUALIFIED ELECTRICIAN CHECK YOU'RE A.C. RECEPTACLE TO BE SURE THE GROUND IS FUNCTIONING PROPERLY.

PROGRAMMING YOUR GAME

This section will give you a detailed explanation of the functions and operating characteristics of each of the programming buttons.

PLEASE READ THIS SECTION CAREFULLY TO AVOID PROBLEMS WITH YOUR GAME.

PLEASE NOTE: THE PROGRAMMING AND TICKET RESET BUTTONS ARE LOCATED INSIDE THE LEFT HAND COIN DOOR. ADDITIONALLY, THERE IS A SINGLE TICKET RESET BUTTON INSIDE THE RIGHT HAND COIN DOOR.

DISPLAY INFORMATION

THE RIGHT HAND FROG DISPLAY WILL SHOW YOU THE **OPTION** YOU ARE IN. THE LEFT HAND DISPLAY WILL SHOW THE **VALUE OR SETTING** FOR THAT OPTION.

PROGRAMMING BUTTON

Press this button to enter or exit the PROGRAMMING mode. You will notice when you are in the Programming mode, as the displays in the Frogs will change.

SELECT BUTTON

This button is used to change from one option to the next. When this button is pushed, the option number is shown in the display window of the RIGHT HAND Frog.

ADVANCE

This button is used to change the value within the option. When this button is pushed, the value will be shown in the LEFT HAND Frog.

TICKET RESET BUTTON

When the game runs out of tickets, it keeps track of how many are owed. When more tickets are inserted, the game will attempt to dispense all of the tickets that are still owed. If the operator does not wish to dispense these tickets when reloading, press the "Ticket Reset" button BEFORE replacing the tickets. The tickets Reset buttons are located inside the coin doors.

OPTION MODES

MODE 0 (COINS PER CREDIT)

This option determines how many coins are necessary to start a game. The range for this game is 1-10. The default value for this mode is "1"

SET-UP / TESTING

NEW JERSEY

MODE 1 (GAME LENGTH)

This mode determines how long the game lasts in SECONDS. The range for this value is 5-60. The default value for this game is "10"

SETTING A "0" FOR THIS MODE WILL PUT THE GAME INTO THE "RANDOM TICKET" MODE.

MODE 2 (COIN OR CREDIT COUNTER)

This mode determines if the coin counter will count coins or credits. (Example: If it takes 3 coins to start a game, then 3 coins would equal 1 credit). Setting a "0" equals coins. Setting a "1" equals credits. The default value for this option is "0".

MODE 3 (TIME BETWEEN HITS)

This mode determines how long the game will make the player wait between hits of the punching glove. The number shown X 100 milliseconds equals the actual time. (Example: 10 X 100 milliseconds equal 1 second). The range for this option is 10-50 (1 to 5 seconds). The default value for this option is "10"

MODE 4 (DUCKS PER XX TICKET DISPENSE)

NOT USED

MODE 5 (VALUE OF XX)

This option determines the number of tickets to dispense each time a dispense order is given by OPTION MODE 4. The range for this option is 1-9. The default value for this option is "1".

MODE 6 (JUST FOR PLAYING TICKETS)

This mode determines the amount of "Mercy" tickets paid to the customer in the event that they do not win any tickets during normal game play. The range for this option is 0-99. The default value for this option is "3". Tickets are paid up front.

NOTE: THIS OPTION FUNCTIONS IN THE TIMED GAME MODE ONLY.

MODE 7 (ATTRACT TIME)

This mode determines the period of time between attract modes. The numbers in this option represent minutes. The range for this option is 0-90. Setting a "0" equals turning the attract mode OFF. The default value for this option is "3"

MODE 8 (ATTRACT MODE TYPE)

This option determines which type of attract mode is set.

0= Mode Disabled
1= Audio only
2= Motion only
3= both motion and audio

The default value for this option is "3"

SET-UP / TESTING

NEW JERSEY

MODE 9 (FACTORY RESET)

This mode has the capability to reset all options to the factory default values. The range for this option is 0-1. Setting a "1" will reset all values. The default value for this option is "0" (no reset)

NOTE: THE GAME CAN ALSO BE RESET TO FACTORY DEFAULT VALUES BY TURNING THE GAME OFF, REMOVING THE BATTERY FROM THE MAIN P.C. BOARD. , WAIT A FEW MINUTES THEN TURN THE GAME BACK ON.

THE ABOVE PROCEDURE IS ALSO VALUABLE IF FOR SOME REASON THE GAME ELECTRONICS WERE TO LOCK OR FREEZE UP.

GAME TESTING

After you have completed the set-up of your game, INSTALL TICKETS into the game, and play a few games to make sure everything is working properly. Check the following:

- Check the ticket dispenser to be sure the proper amount of tickets is given.
- Check to be sure the duck belt is tracking properly. If not, check the mechanical repair section for adjustment procedures.

Be sure all external fasteners like those of the cover glass and puncher housings are installed and tight.

SET-UP / TESTING NEW JERSEY

ROPE LIGHTING

The rope light in the marquee is operated by a rope light controller located behind the WACKY DUCKS™ sign.

Determine which type of controller is installed in your game. (See photos)

If you have the type shown in the photo below, use the following instructions:

Check to see that the rope light controller is set as follows:

1. The "CHASE" mode switch should be set to position #2.
2. The "SPEED" mode knob should be turned fully clockwise, then rotated back about ¼ inch.

NOTE: THE "SOUND" MODE KNOB IS NOT USED.

If you have the type shown in the photo below, there are no adjustments. The fuse located at the bottom of the printed board is the only user serviceable item.



FUSE



- ← SOUND CONTROL
- ← SPEED CONTROL
- ← CHASE CONTROL

**IF YOU HAVE ANY QUESTIONS REGARDING
THE PROGRAMMING OPTIONS, PLEASE
CONTACT OUR SERVICE DEPARTMENT**

PHONE: 1-716-759-0360
FAX: 1-716-759-0884
E-MAIL: service@icegame.com

QUICK TROUBLESHOOTING

<p>GAME WILL NOT START</p>	<p>NO A.C. POWER POWER MODULE SET INCORRECTLY FUSE BAD IN POWER MODULE FUSE BAD ON MAIN P.C. BOARD NO CREDITS BAD COIN MICRO SWITCH BAD TRANSFORMER BAD GAME HARNESSING BAD MAIN P.C. BOARD</p>	<p>CHECK POWER AT A.C. RECEPTACLE CHECK VOLTAGE SETTING CHECK OR REPLACE FUSE CHECK OR REPLACE FUSE INSERT PROPER AMOUNT OF COINS CHECK OR REPLACE MICRO SWITCH CHECK TRANSFORMER VOLTAGES CHECK W / METER & REPAIR IF NEEDED REPAIR OR REPLACE MAIN P.C. BOARD</p>
<p>DUCKS WILL NOT MOVE</p>	<p>BAD DRIVE MOTOR BAD DRIVE TRANSISTOR NO CREDITS IN GAME BAD FUSE ON MAIN P.C. BOARD BELT BINDING</p>	<p>REPLACE DRIVE MOTOR REPAIR OR REPLACE MAIN P.C. BOARD ADD CREDITS TO GAME CHECK OR REPLACE FUSE SEE MANUAL FOR BELT ADJUSTMENT</p>
<p>TICKETS WILL NOT DISPENSE</p>	<p>BAD TICKET DISPENSER BAD GAME HARNESSING NO TICKETS IN GAME GAME PROGRAMMED IMPROPERLY</p>	<p>CHECK FOR JAMS OR REPLACE CHECK W / METER & REPAIR IF NEEDED ADD TICKETS TO GAME RE-PROGRAM TICKET DISPENSE OPTION</p>
<p>DUCK MARQUEE WON'T LIGHT OR FLASHES INCORRECTLY</p>	<p>CHECK CONTROL UNIT FOR POWER BAD FUSE ON ROPE LIGHT P.C. BOARD IS LIGHT CONTROL SET CORRECTLY ROPE LIGHT NOT CONNECTED ROPE LIGHT BAD OR SHORTED</p>	<p>IS SWITCH TURNED ON CHECK OR REPLACE FUSE SEE SET-UP FOR DIRECTIONS HOOK UP ROPE LIGHTING REPLACE ROPE LIGHTING</p>
<p>DISPLAY DUCKS WILL NOT LIGHT OR FLASH OR STAYS LIT</p>	<p>BAD LIGHT BULB BAD HARNESSING BAD TRANSISTOR ON MAIN BOARD</p>	<p>CHECK AND REPLACE BULB CHECK W / METER & REPAIR IF NEEDED REPAIR OR REPLACE MAIN P.C. BOARD</p>
<p>FROG DISPLAYS DON'T WORK OR WORK INCORRECTLY. EYE LIGHTS DON'T FLASH</p>	<p>BAD FROG DISPLAY BAD HARNESSING BAD LIGHT BULB</p>	<p>REPAIR OR REPLACE P.C. BOARD CHECK W / METER & REPAIR IF NEEDED REPLACE BULB</p>
<p>NO SCORE WHEN DUCKS ARE KNOCKED OVER</p>	<p>BAD FROG DISPLAY BAD MICRO SWITCH MICRO SWITCH WIRE BENT WRONG BAD HARNESSING</p>	<p>REPAIR OR REPLACE P.C. BOARD REPLACE MICRO SWITCH REBEND WIRE FOR OPTIMUM CONTACT CHECK W / METER & REPAIR IF NEEDED</p>
<p>NO FLORESCENT LIGHTING</p>	<p>BAD FLORESCENT BULB BAD LIGHT BALLAST BAD WIRING</p>	<p>REPLACE BULB REPLACE BALLAST CHECK W / METER & REPAIR IF NEEDED</p>
<p>NO SOUND OR SOUND LOW</p>	<p>BAD SPEAKER BAD WIRING VOLUME SET TOO LOW</p>	<p>REPLACE SPEAKER CHECK W / METER & REPAIR IF NEEDED ADJUST VOLUME (SEE MANUAL)</p>
<p>PUNCHING GLOVE DOESN'T WORK OR WORKS SLOWLY</p>	<p>BAD DRIVE TRANSISTOR BAD THERMAL SWITCH BAD COOLING FAN BAD PUSH BUTTON SWITCH BAD HARNESSING</p>	<p>REPAIR OR REPLACE MAIN P.C. BOARD TEST OR REPLACE SWITCH REPLACE FAN CHECK OR REPLACE SWITCH CHECK W / METER & REPAIR IF NEEDED</p>

GAME REPAIR

OPERATIONAL BACKGROUND

The WACKY DUCKS™ game has been designed to be as easy as possible to repair.

The duck belt can be easily adjusted while in the game, yet can be removed easily from the game if replacement should ever become necessary.

The punching mechanisms have been designed for easy access by simply removing the access covers.

TROUBLESHOOTING PHILOSOPHY

To find problems with the game, always first check what should be obvious. See that the game is plugged in, and that all of the fuses on the game are good. This includes the fuse that is located INSIDE the power module.

Next, check to see that all of the connectors are firmly seated and that none of the wires have been pulled out of them.

When trying to find out if specific components are bad or not, try swapping them with components from another player station to see if the problem moves with the component, or stays where it was. This will help you to know if you have a problem with a specific component, or maybe a problem with either the wiring or the Main P.C. Board.

Use extreme caution when using probes or voltmeters if the game is powered up. If doing continuity checks, it is important to disconnect the harnessing at both ends, as attached they may yield erroneous results.

If a P.C. Board is suspected as the cause of a problem, check to see that all of the components on the board are firmly attached. Pay special attention to any socketed devices.

If light bulbs are suspected, swap them with one that is known to work to narrow the problem down to either a bulb or P.C. Board.

MECHANICAL REPAIR

PUNCHING GLOVE ASSEMBLY OVERVIEW

The punching glove system is designed for high reliability and safety. The assembly can be designed with simplicity in mind, as the solenoid is driven for maximum pull in strength.

The solenoid is driven by approximately 35 DC volts. This voltage may be higher or lower depending on your A.C. voltage at the wall.

The solenoid is fan cooled to allow for higher voltages that will in turn provide the higher pull in strength.

Since fan cooling is necessary under a high game play mode, the solenoid is protected by a bi-metal thermal switch that is strapped directly to the solenoid bobbin. This switch assures that if the fan fails, the solenoid power will be shut down before the coil could be damaged.

The thermal switch is run "IN LINE" with the solenoid power. This simple arrangement is very reliable and easy to troubleshoot.

TESTING THE COIL

TESTING FOR POWER - Disconnect the coil from the connectors. Using a voltmeter, measure that voltage is present during game play if the punch button is pressed. There should be a voltage of 30+ volts D.C. If you do not see this much voltage, but do see some, your meter is probably too slow to see the voltage, as it is only on for approximately 100 milliseconds. If you don't see any voltage at all, the solenoid driver F.E.T. on the main P.C. Board could be bad. It could also be that the push button is not sending a signal to the main P.C. Board.

If you see voltage to the coil, but the mechanism won't fire, check that the thermal switch is working correctly. When the thermal switch is cool, disconnect the wires from its leads and do a continuity test across the switch terminals. You should see continuity. If you don't, the switch needs to be replaced.

GAME REPAIR

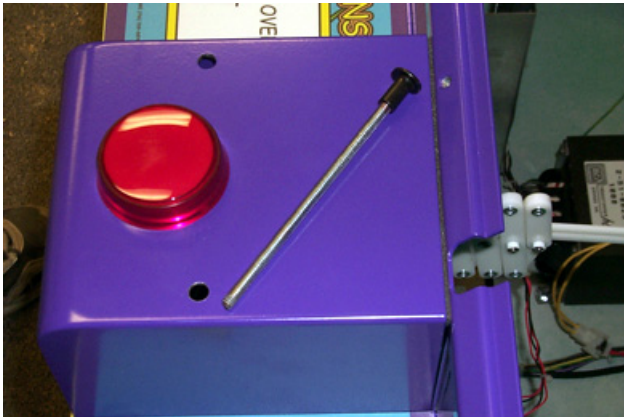
If you see that the thermal switch is good, check to see that the coil and the diode on the coil are good.

Disconnect the coil and unsolder 1 side of the diode. Do a resistance check to see that there is infinite resistance in one direction. If there is no resistance in either direction the diode is bad. If the diode is bad, there is also a chance that the drive transistor and / or fuse could be bad as well.

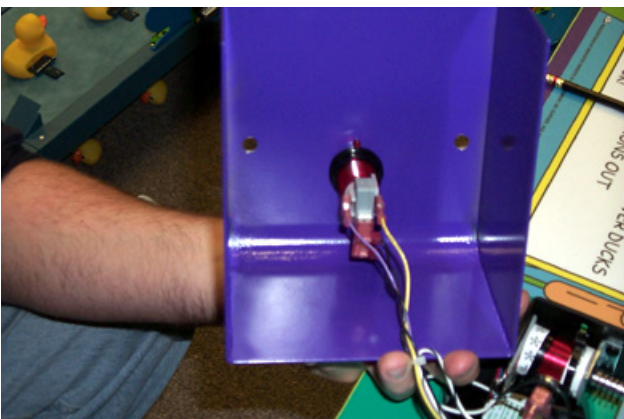
If the diode tests good, check to see the resistance of the coil. It should measure approximately 3.8 ohms. This resistance will vary some depending on the temperature of the coil. If the resistance is significantly more or less, the coil should be replaced.

COIL REPLACEMENT

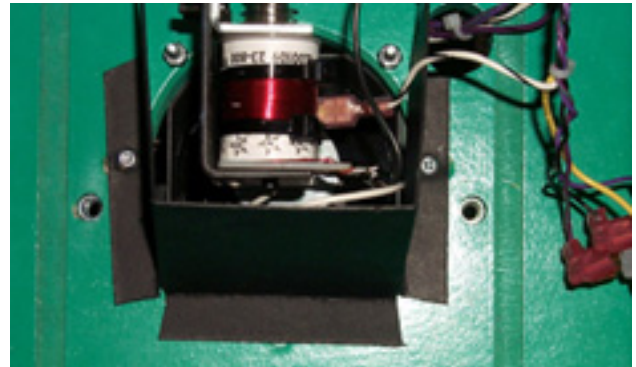
1. Remove the 2 bolts that hold the punching mech cover in place.



2. Disconnect the micro switch assembly from the push button and remove the cover.



3. Remove the 2 square drive screws that hold the cardboard fan shroud in place.



4. Remove the wires that attach to the solenoid.
5. Remove the 4 screws that hold the assembly into the cabinet. NOTE: IF THERE ARE SPACERS TO ADJUST THE SOLENOID ANGLE BETWEEN THE PUNCHER BRACKET AND CABINET, BE SURE TO USE THEM IN THE SAME PLACE WHEN REASSEMBLING THE GAME.



GAME REPAIR

6. Remove the hex nuts that secure the 2 long shoulder bolts to the puncher mounting bracket. Unscrew the two shoulder bolts from the puncher mounting bracket. The puncher assembly should now be able to be removed.
7. Remove the 2 screws that hold the coil retaining bracket to the puncher bracket. The solenoid may now be removed.
8. Assemble in the reverse order.

NOTE: WHEN RE-ASSEMBLING THE PUNCHER ASSEMBLY, BE SURE TO USE LOCK-TITE ON THE SHOULDER BOLT THREADS AND RETAINING NUTS.

DUCK BELT ASSEMBLY ADJUSTMENT AND REPAIR

There are two different adjustments that should be occasionally performed on the belt assembly.

The first is an adjustment to get the proper amount of tension to the duck belt. This is important to prevent the ducks from hanging too low on the bottom of the belt, and to help insure proper tracking.

The second type of adjustment is to set the tracking accurately to the center of the belt board.

NOTE: BOTH OF THE ABOVE ADJUSTMENTS ARE NECESSARY WHEN THE BELT NO LONGER RUNS CENTERED ON THE BELT BOARD OR WHEN REPAIRS TO THE DUCK BELT ASSEMBLY ARE PERFORMED.

MOTOR REPAIR

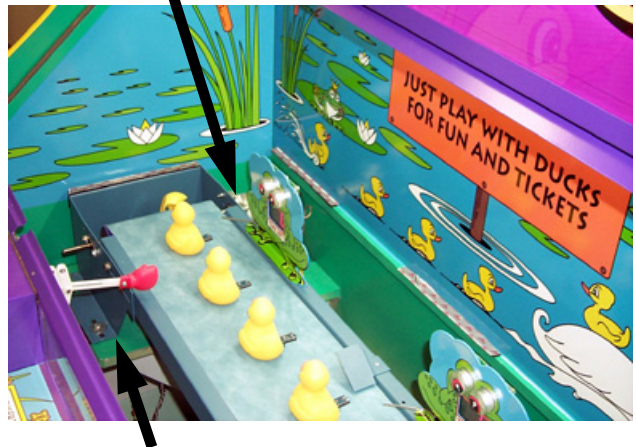
1. Turn off A.C power
2. Remove cover glass by removing the 4 Allen screws that hold the glass retainer.



GLASS RETAINER

3. Remove the Masonite "pond" covers that are held in place with Velcro.
4. Remove the wires that are connected to the D.C. motor. NOTE: MARK THE WIRES TO BE SURE THE MOTOR DOES NOT RUN BACKWARDS WHEN THE GAME IS POWERED BACK ON. IF THE BELT RUNS BACKWARDS THE BELT COULD BE SEVERELY DAMAGED.

MOTOR WIRES ON THIS END



CONVEYOR MOUNTING BOLTS ARE LOCATED IN THIS AREA ON BOTH SIDES

1. Remove the 4 bolts that hold the belt assembly into the game.
2. Remove the belt assembly from the game. BE CAREFUL NOT TO SCRATCH THE GAME WHEN REMOVING THE ASSEMBLY. Place the assembly on a suitable work surface.

GAME REPAIR

7. Loosen the 4 adjusting bolts on BOTH ends of the assembly to loosen up the duck belt.



LOOSEN THESE SCREWS
(BOTH SIDES)

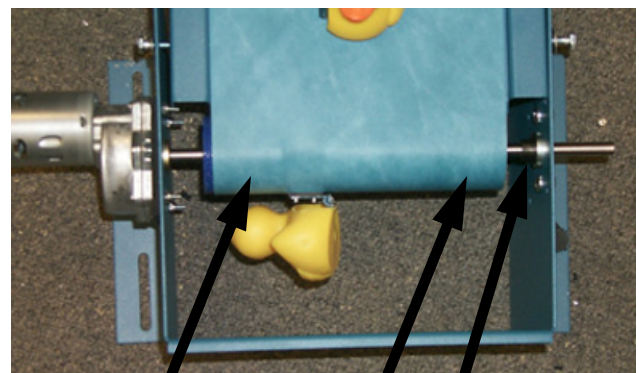
8. On the DRIVE MOTOR SIDE of the assembly, pull the belt to the side and loosen the 2 Allen set screws that hold the drive roller to the motor shaft.
9. Loosen the Allen set screws that holds the small roller bearing to the motor shaft.
10. Remove the 4 screws and nuts that hold the motor to the assembly.
11. RE-ASSEMBLE IN THE REVERSE ORDER.
12. NOTE: TIGHTEN THE SCREWS THAT HOLD THE MOTOR TO THE ASSEMBLY JUST TIGHT ENOUGH TO JUST SQUEEZE THE GASKET MATERIAL. OVER TIGHTENING COULD CAUSE SHAFT MIS-ALIGNMENT AND / OR EXCESSIVE MOTOR NOISE.
13. FOLLOW THE DUCK BELT ADJUSTMENT PROCEDURES AT THE END OF THIS SECTION.

BELT REPLACEMENT

1. Turn off A.C power
2. Remove cover glass by removing the 4 Allen screws that hold the glass retainer.
3. Remove the Masonite "pond" covers that are held in place with Velcro.
4. Remove the wires that are connected to the D.C. motor. NOTE: MARK THE WIRES TO BE SURE THE MOTOR DOES NOT RUN BACKWARDS WHEN THE GAME IS POWERED BACK ON.

IF THE BELT RUNS BACKWARDS THE BELT COULD BE SEVERELY DAMAGED.

5. Remove the 4 bolts that hold the belt assembly into the game.
6. Remove the belt assembly from the game. BE CAREFUL NOT TO SCRATCH THE GAME WHEN REMOVING THE ASSEMBLY. Place the assembly on a suitable work surface.
7. Loosen the 4 adjusting bolts on BOTH ends of the assembly to loosen up the duck belt.
8. On the DRIVE MOTOR SIDE of the assembly, pull the belt to the side and loosen the 2 Allen set screws that hold the drive roller to the motor shaft.

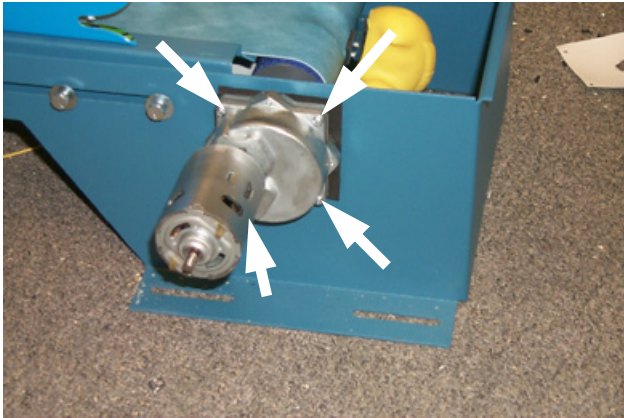


SET SCREWS UNDER BELT

BEARING SET SCREW

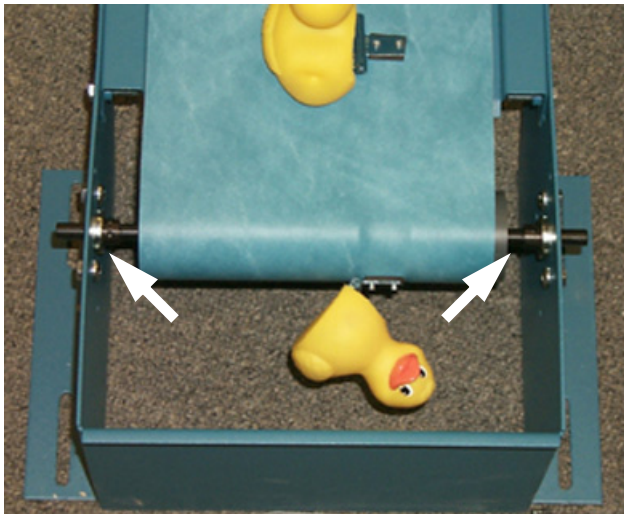
9. Loosen the Allen set screw that holds the small roller bearing to the motor shaft.
10. Remove the 4 screws and nuts that hold the motor to the assembly.

GAME REPAIR



MOTOR MOUNTING SCREWS

11. On the IDLER ROLLER side of the assembly, pull the belt to the side and loosen the 2 Allen set screws that hold the drive roller to the motor shaft.
12. Loosen the Allen setscrews that hold the idler roller shaft and slide the shaft out.



LOOSEN THESE SCREWS

13. Remove the 4 adjusting bolts on both ends of the assembly, separate the end brackets and remove the belt.
14. RE-ASSEMBLE IN THE REVERSE ORDER.
15. NOTE: TIGHTEN THE SCREWS THAT HOLD THE MOTOR TO THE ASSEMBLY JUST TIGHT ENOUGH TO JUST SQUEEZE THE GASKET MATERIAL. OVER TIGHTENING COULD CAUSE SHAFT MIS-ALIGNMENT AND / OR EXCESSIVE MOTOR NOISE.

6. FOLLOW THE DUCK BELT ADJUSTMENT PROCEDURES AT THE END OF THIS SECTION.

DUCK BELT ADJUSTMENT

1. **PRELIMINARY ADJUSTMENT** - Loosen the 4 bolts that hold the duck belt assembly to the cabinet. They should be loose enough that the entire unit can be slid back and forth easily.
2. Loosen the eight bolts that are used to tighten the belt. There are 4 bolts on each end.
3. Loosen the bolts that secure the roller bearings to the assembly, and re-tighten them at the mid-point of their adjustment slots.
4. Tighten the bolts on the idler roller end of the assembly about $\frac{1}{2}$ " from the innermost position.
5. Pull on the motor end of the assembly to remove slack from the belt.
6. NOTE: WHEN THE BELT SLACK IS ADJUSTED PROPERLY THERE WILL BE NO MORE THAN 2 INCHES OF DROOP ON THE BOTTOM SIDE OF THE BELT.
7. If there is more than 2 inches, retighten the belt.
8. **FINAL ADJUSTMENT** - Start a game and notice how the belt track.
9. If the belt tracks to one particular side, loosen the bolts that adjust the roller bearings and move the roller in or out for proper tracking. This can be done during a game when the belt is moving, if done carefully.
10. It may be necessary to adjust both ends once or twice to get the optimum tracking.

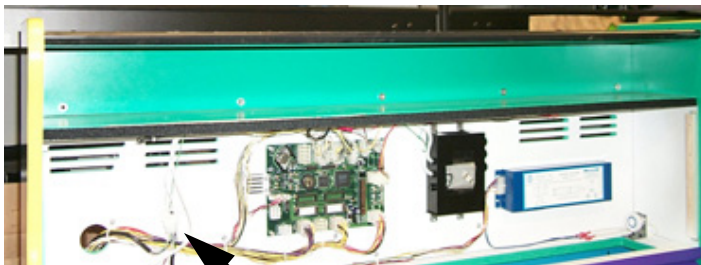
GAME REPAIR

11. NOTICE: DO NOT LET THE BELT DRAG ACROSS THE DUCK-UP RAMPS. THIS COULD CAUSE DAMAGE OR FRAYING OF THE BELT MATERIAL OR COULD DAMAGE THE SEWN BELT SEAM.

BULB REPLACEMENT

ROPE LIGHT

1. Remove the WACKY DUCKS™ sign from the front of the game.
2. Disconnect the rope light connector and the 2-wire speaker harness.



DISCONNECT WIRES HERE

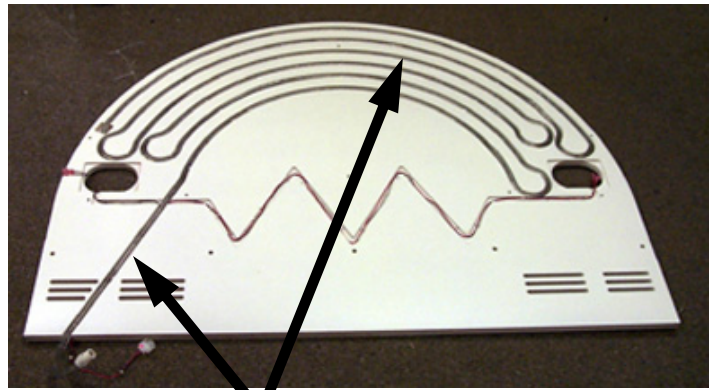
3. Remove the WACKY DUCKS™ marquee from the game by removing the 5 bolts and washers that hold it to the cabinet.
4. Remove the speaker (duck feet) from the marquee.



REMOVE BOLTS FROM DUCK FEET & DUCK PROFILE

5. Remove the duck graphic from the marquee.

6. The rainbow plastic will now come off of the marquee. Replacement of the rope light is now possible.



ROPE LIGHT

7. Re-assemble in reverse order.

FLASHING DUCKS

1. Remove the WACKY DUCKS™ sign from the front of the game.
2. Unscrew the single wood screw that holds the light socket in from THE BOTTOM of the duck.



REMOVE THIS SCREW

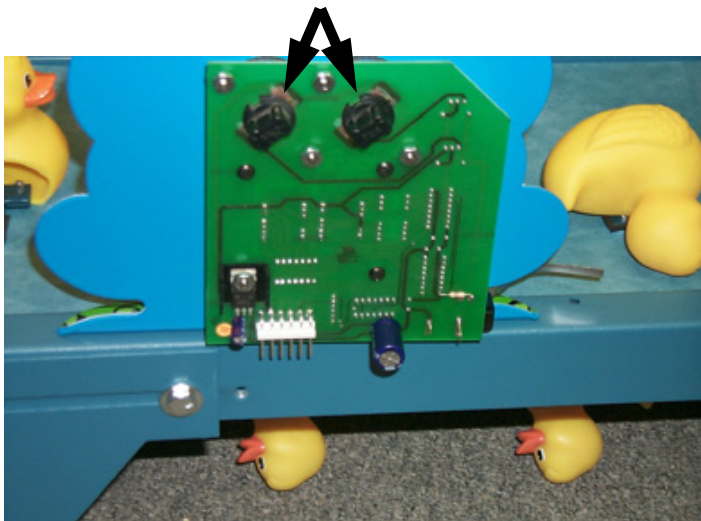
3. DO NOT REMOVE THE DUCK BY PULLING ON IT. IT IS GLUED IN PLACE AND IS NOT MEANT TO BE REMOVED. IF IT IS REMOVED BY MISTAKE, IT MUST BE RE-FASTENED USING SILICONE ADHESIVE ONLY.
4. Re-assemble in reverse order.

GAME REPAIR

FROG EYES

1. Untwist bulb socket from rear of frog P.C. Board.

BULB SOCKETS



2. Replace bulb.
3. Re-insert socket into board and check for proper operation.

ELECTRICAL / ELECTRONIC REPAIR

MAIN P.C. BOARD

1. Turn off all A.C. power and remove the power cord from the A.C. receptacle.
2. Remove the WACKY DUCKS™ sign from the front of the game.
3. Remove all of the P.C. Board connectors, noting where each one connects onto the board.
4. Remove the 4 hex fasteners that connect the board to the cabinet.
5. Re-assemble in reverse order.

FROG DISPLAY BOARD

1. Remove the cover glass retainer by removing the 4 Allen head screws, and remove the cover glass.

2. Unplug the frog display board.
3. Remove the 3 screws that hold the P.C. Board to the frog display.
4. Re-assemble in the reverse order.

MAINTENANCE

Maintenance is easy, as the game requires very little service under normal use. For your customers to get the greatest enjoyment from the game, please perform the following periodically:

- Clean the cabinet with soapy water or a commercial cleaner such as Fantastik™ or Formula 409™. Do not use any chemicals such as alcohol, benzene, or paint thinners that could damage the finish. Finish cleaning the cabinet by applying a good quality spray furniture polish.
- Clean the glass with a good quality glass cleaner.
- Adjust the Duck Belt to assure proper tracking and operation.
- Clean the coin mechs with a soapy water solution to remove dirt and grime.
- Clean the push buttons if they become sticky in use.
- Clean dirt and grime from the punching mechanisms if they become sluggish.

NOTE: DO NOT USE ANY LUBRICANT ON THE PUNCHING MECHANISMS, AS THIS WILL ONLY ATTRACT DIRT, WHICH WILL BIND, AND SLOW THE UNITS. If the punching mechanisms still respond sluggishly after cleaning, check you're A.C. line voltage to be sure it matches the way your game is set.

IF YOU HAVE ANY QUESTIONS REGARDING THE PROGRAMMING OPTIONS, PLEASE CONTACT OUR SERVICE DEPARTMENT

PHONE: 1-716-759-0360
FAX: 1-716-759-0884
E-MAIL: service@icegame.com

PARTS LISTING

MECHANICAL PARTS

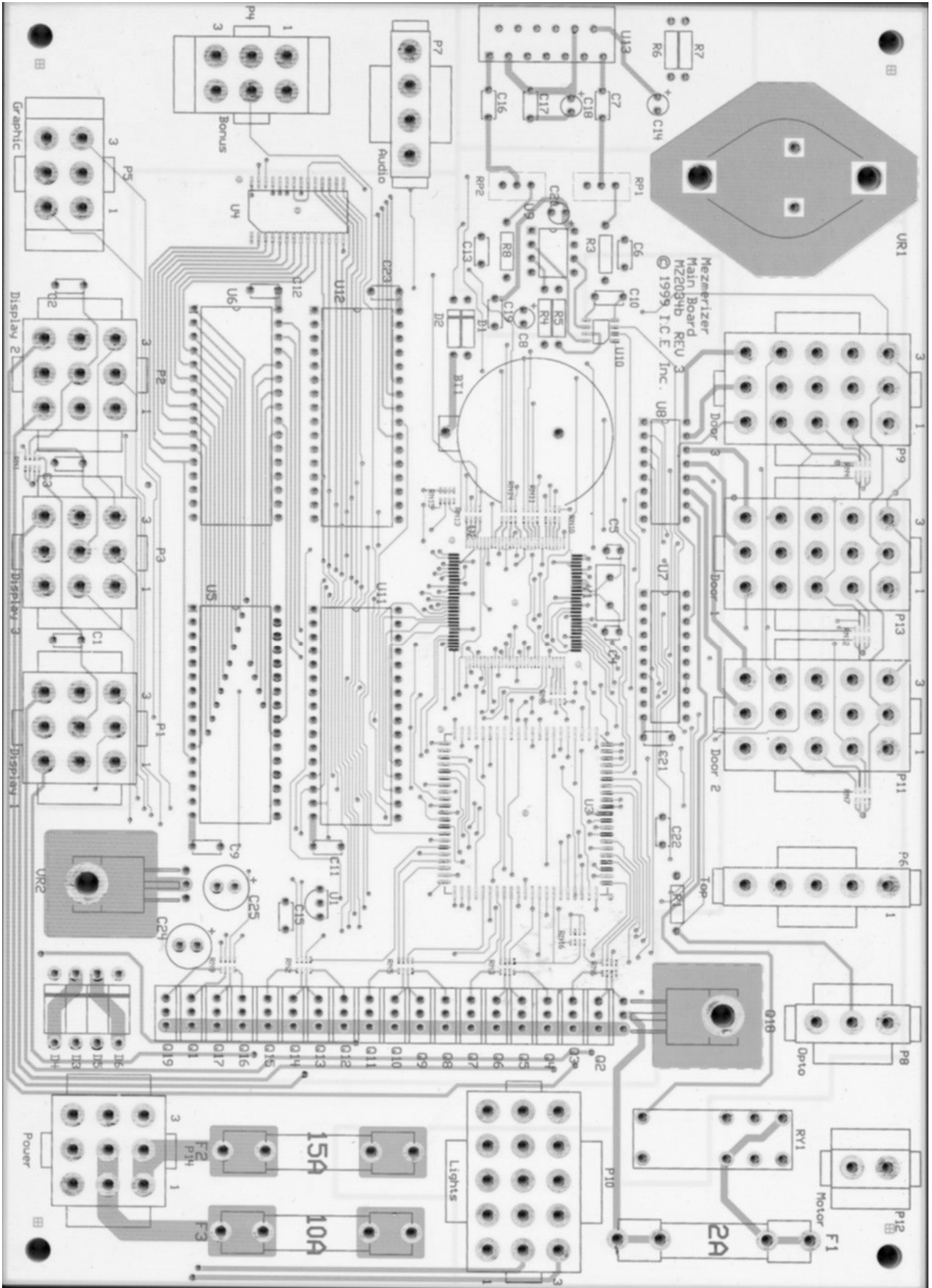
FP1019	LEVELER FOOT
HD1052	SWIVEL CASTER
WA5001	TRIPLE COIN DOOR
WK1001-P601	CONTROL BOX
WK1014	RAMP (DUCK LIFT)
WK1020-P802	PUNCH ASSEMBLY BRACKET
WK1022	SPRING PLUNGER LINK
WK1025	COIL RETAINER BRACKET
WK1026	HINGE WASHER, SQUARE
WK1050	BEARING, CONVEYOR ROLLER
WK1051	HINGE, DUCK TARGET
WK1052	PLUNGER SPRING
WK3005X	CONVEYOR ROLLER W / GRIT
WK3010	PLUNGER LINK BLOCK 1 ½ SQ.
WK3011	PLUNGER LINK #1
WK3012	PLUNGER LINK #2
WK3013	PLUNGER LINK #3
WK3014	PLUNGER LINK #4
WK3015	PLUNGER LINK, END
WK3016	PUNCHING GLOVE
WK3020X	DUCK, SMALL BABY w/hinge
WK3021X	DUCK, LARGE MAMA w/cutout
WK4001XX	CONVEYOR BELT ASSEMBLY
WK9001	SERVICE MANUAL

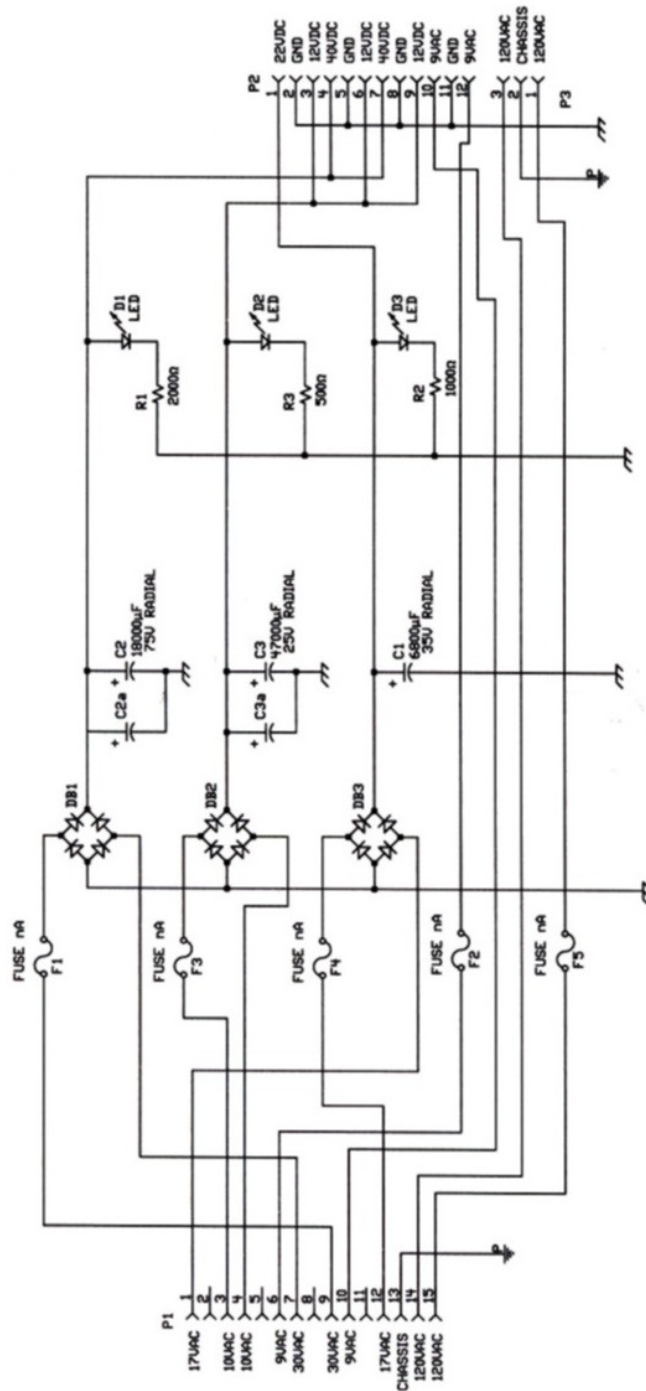
GRAPHICS & DECALS

7031	FOR INDOOR USE ONLY DECAL
7033	WARNING, POWER DIS DECAL
7047	WARNING, VHO BULB ONLY
WK7000	OUTSIDE LEFT CABINET DECAL
WK7001	OUTSIDE RIGHT CABINET DECAL
WK7002	CABINET INSIDE LEFT DECAL
WK7003	CABINET INSIDE RIGHT DECAL
WK7004	FROG DECAL
WK7005	POND DECAL
WK7007	REAR BACKDROP DECAL
WK7008	DUCK DISPLAY DECAL
WK7009	EYEBALL DECAL
WK7010	LOWER CABINET FRONT DECAL
WK7012	LEFT CONTROL PANEL
WK7013	INSTRUCTION DECAL (TIME)
WK7014	RIGHT CONTROL PANEL
WK7021	PROGRAMMING DECAL
WK7023	INSTRUCTION DECAL (TICKET)
WK7024	FROG "TICKET" DECAL
WK7025	CLOUD
WK7026	RAINBOW MARQUEE BACKGROUND
WK7028	FRONT HEADER SIGN
WK7029	DUCK MARQUEE DECAL

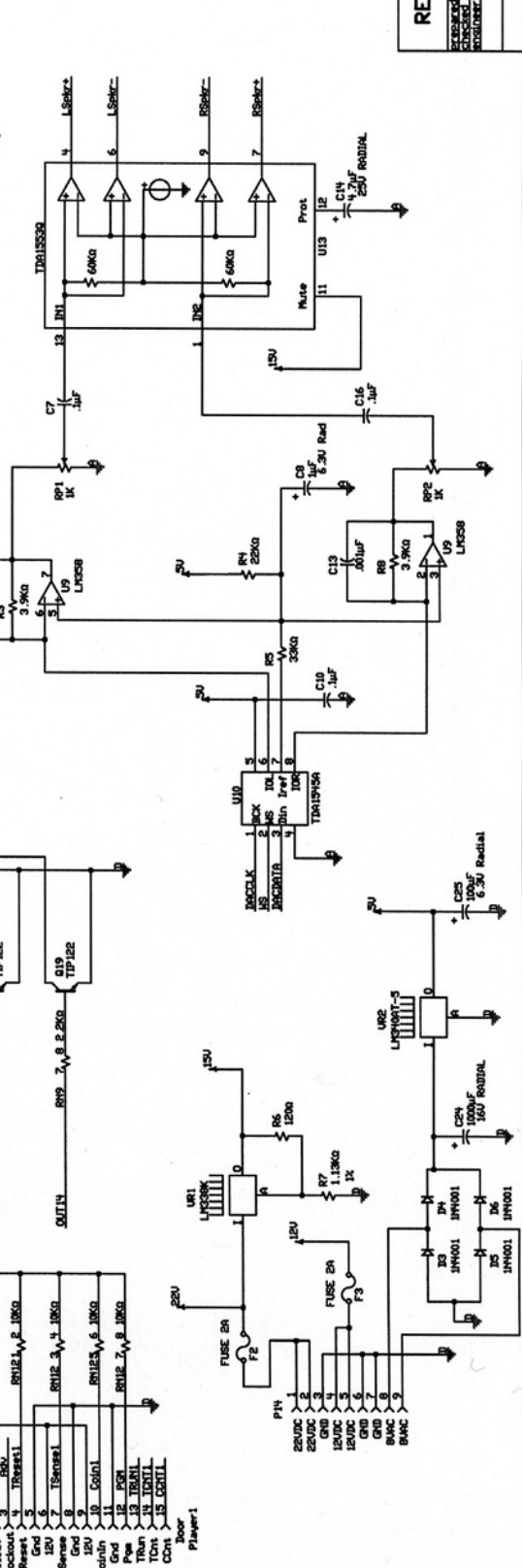
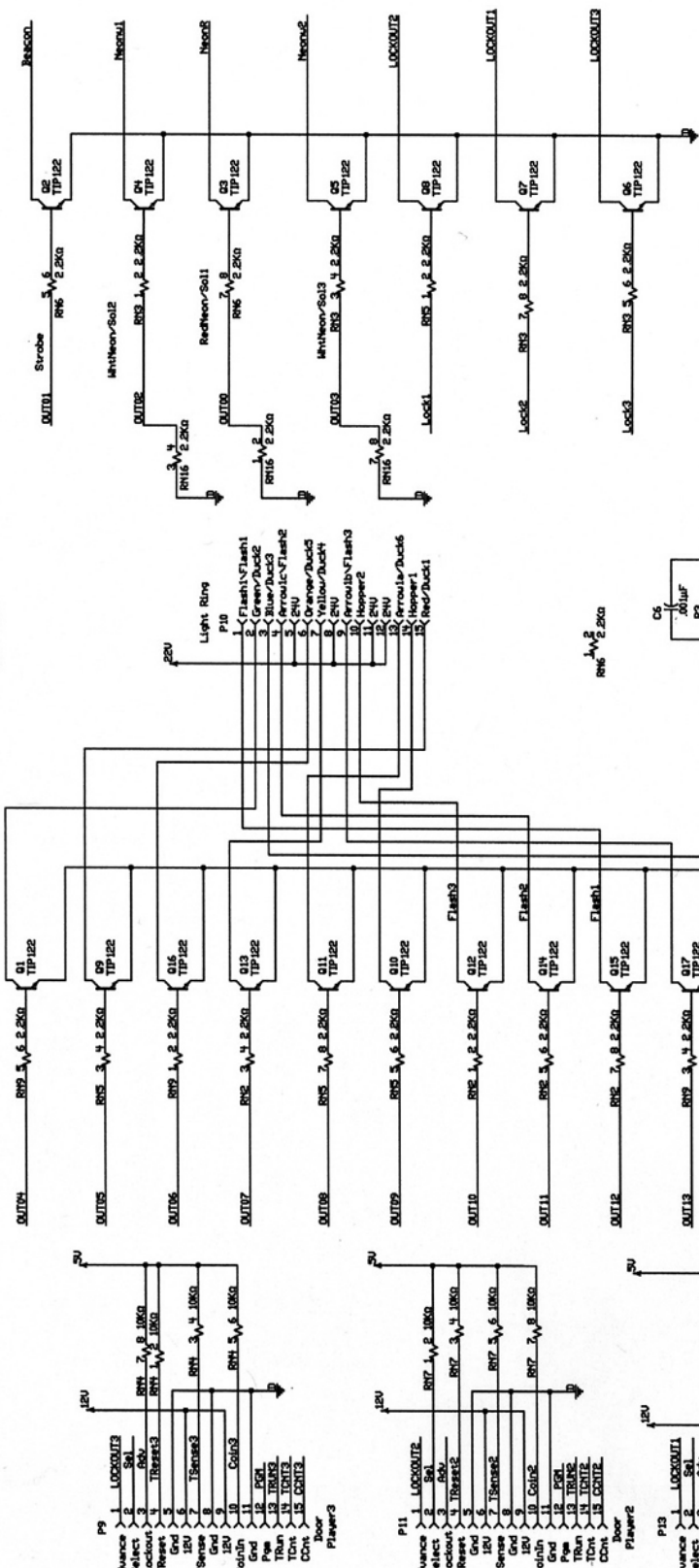
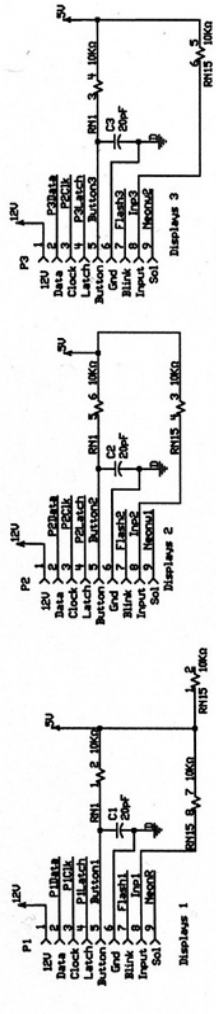
ELECTRICAL / ELECTRONIC PARTS

E00211	LOW TICKET SWITCH
2005	LIGHT BULB, #906
2026	THERMAL SWITCH
2133CW	ROPE LIGHT, CHASING 110 VOLT 28' REQUIRED
2364X	FAN ASSEMBLY
HH5005	TICKET DISPENSER
PC20224	12-VOLT COUNTER
PC20238	BULB SOCKET, TWIST
PC20239	LIGHT BULB, #161
WK2001X	POWER SUPPLY
WK2002X	TRANSFORMER
WK2007X	POWER MODULE
WK2008	DRIVE MOTOR
WK2009	COIL, INCLUDES SLEEVE
WK2032X	DISPLAY P.C. BOARD ASSEMBLY
WK2034X	MAIN P.C. BOARD ASSEMBLY
WK2133CTLX	ROPE LIGHT CONTROLLER
WK8284X	BALLAST ASSEMBLY
WK3011X	PUNCH ASY W/O SOLENOID
WK1020X	PUNCH ASY W/SOLENOID
WK1001BX	CONTROL BOX BOLT
HR2005	BUTTON
8280	FLUORESCENT BULB
MA3006	TMOLDING YELLOW
WK3005RX	CONVEYOR ROLLER (RIGHT)
WK3027	FRONT GLASS 20 7/16 x 49 3/8
WK8239X	SOCKET SET ASY





I.C.E. Inc.
 Wacky Ducks
 Power Supply
 sizeCode 1d
 no. WK2001B
 A
 Scale Sheet 1 of 1



P12 Motor
 Motor → 12VDC
 Motor → 12VDC

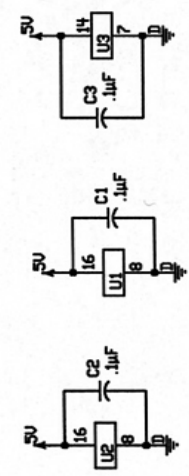
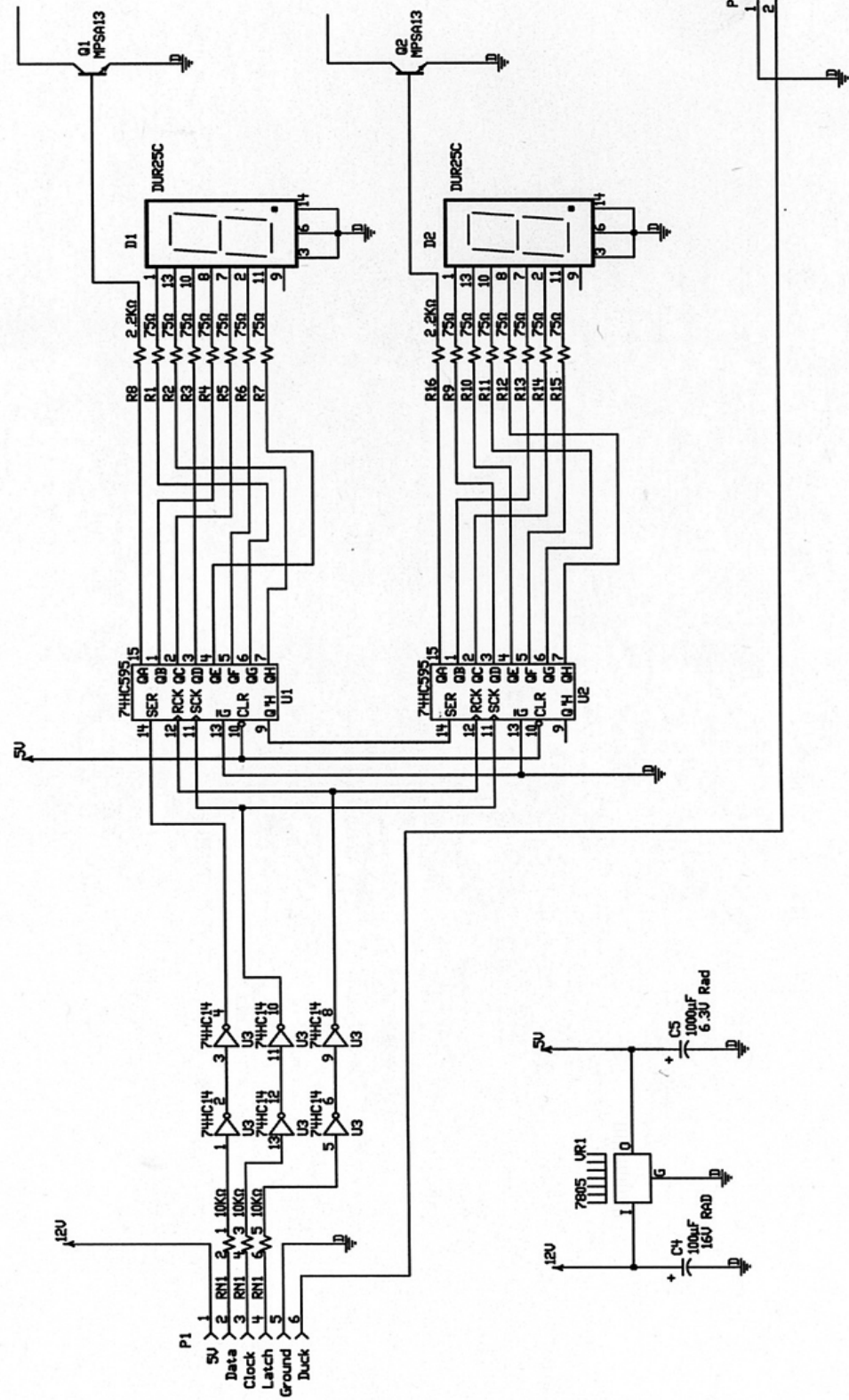
REV 3

I.C.E., Inc.
 Mezerizer
 Main Board

DATE: 2/28/83
 DESIGNED: 2/28/83
 CHECKED: 2/28/83
 SIZE: Code 13 Drawing no. 1000

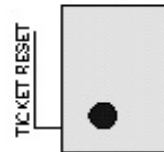
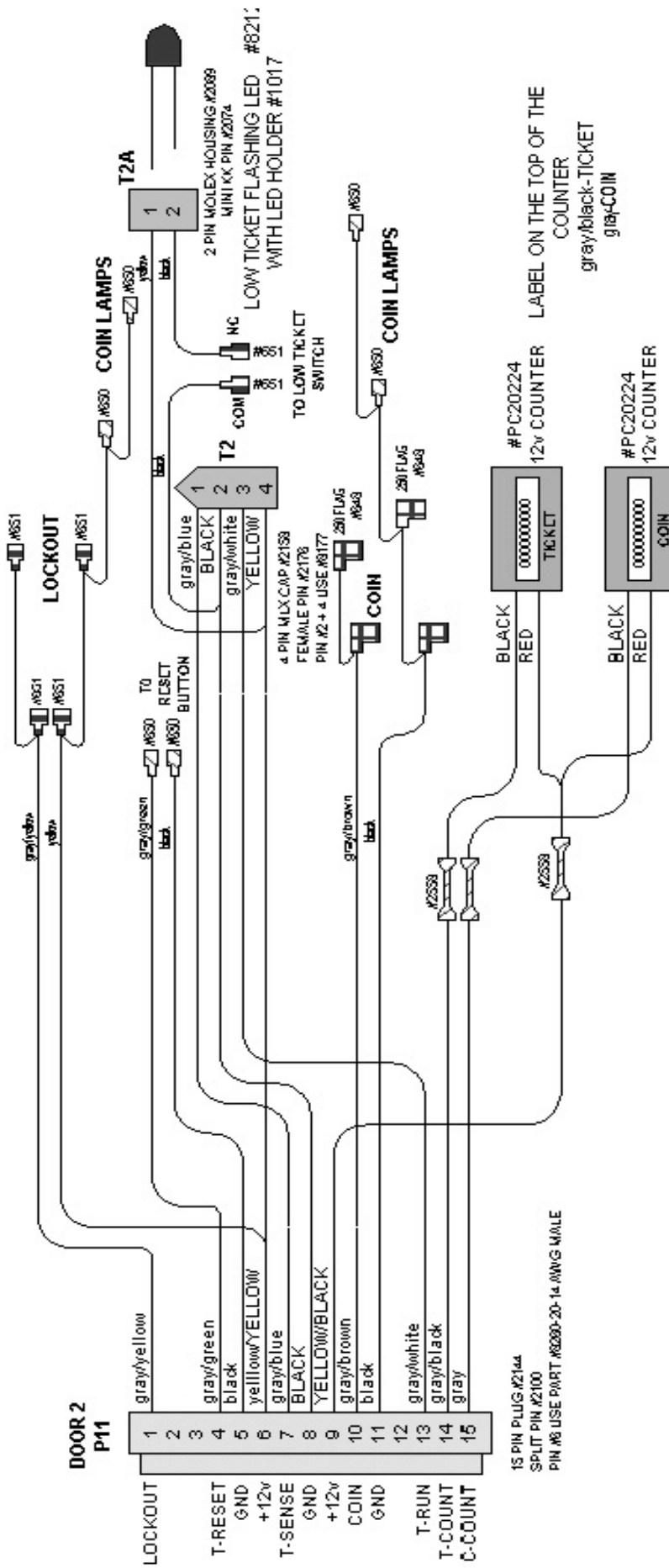
Eye 1

Eye 2



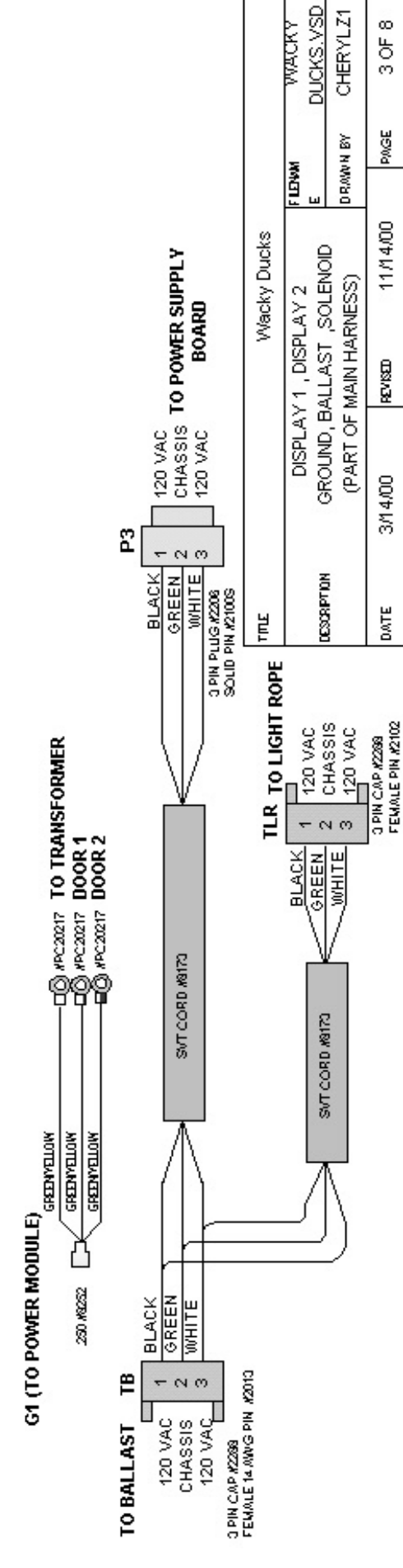
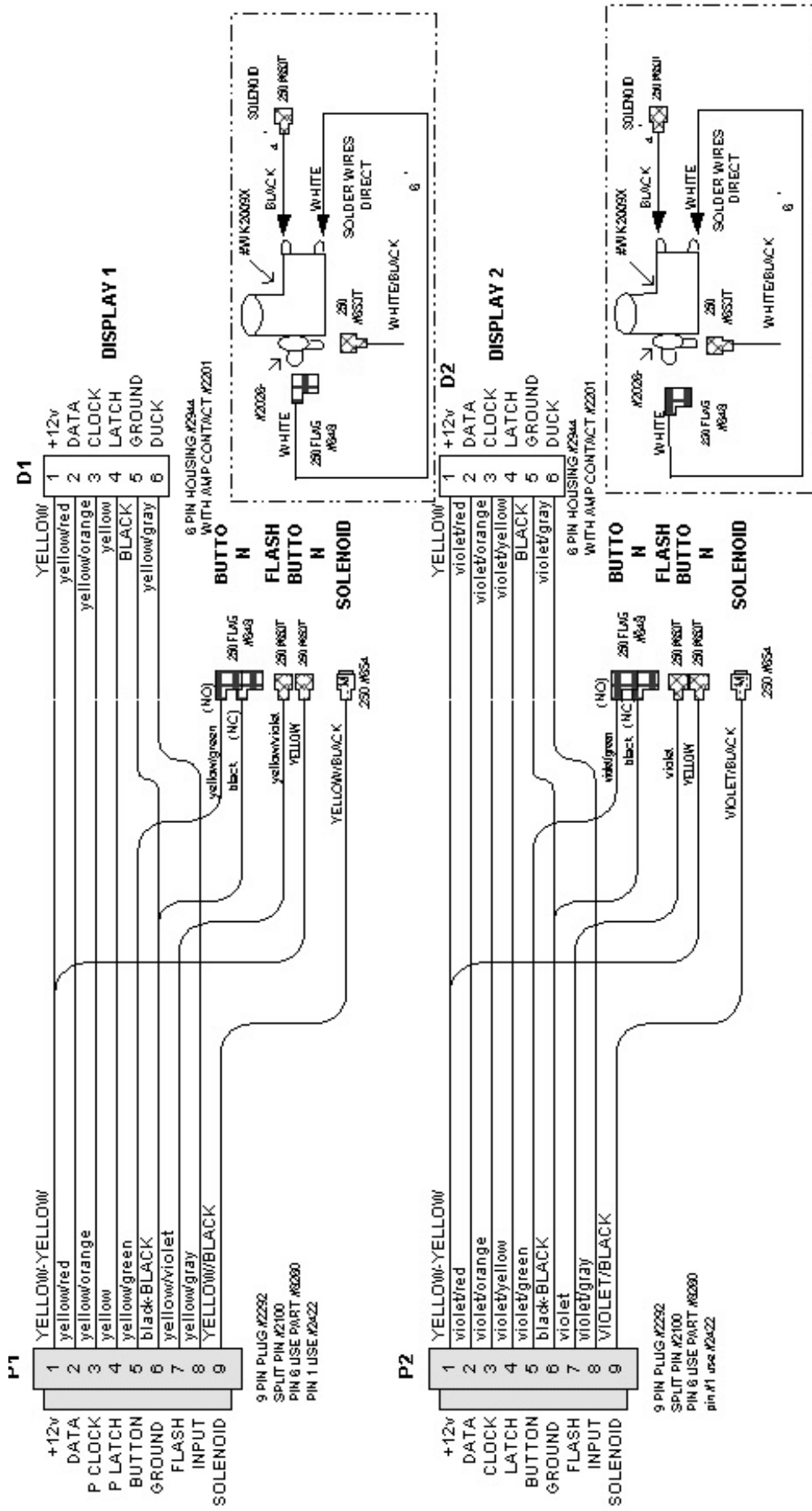
Rev 1		I.C.E. Inc.	
Prepared	3/01	Checked	ESD
Engineer	3/01	ESD	

Wacky Ducks
Frog Board

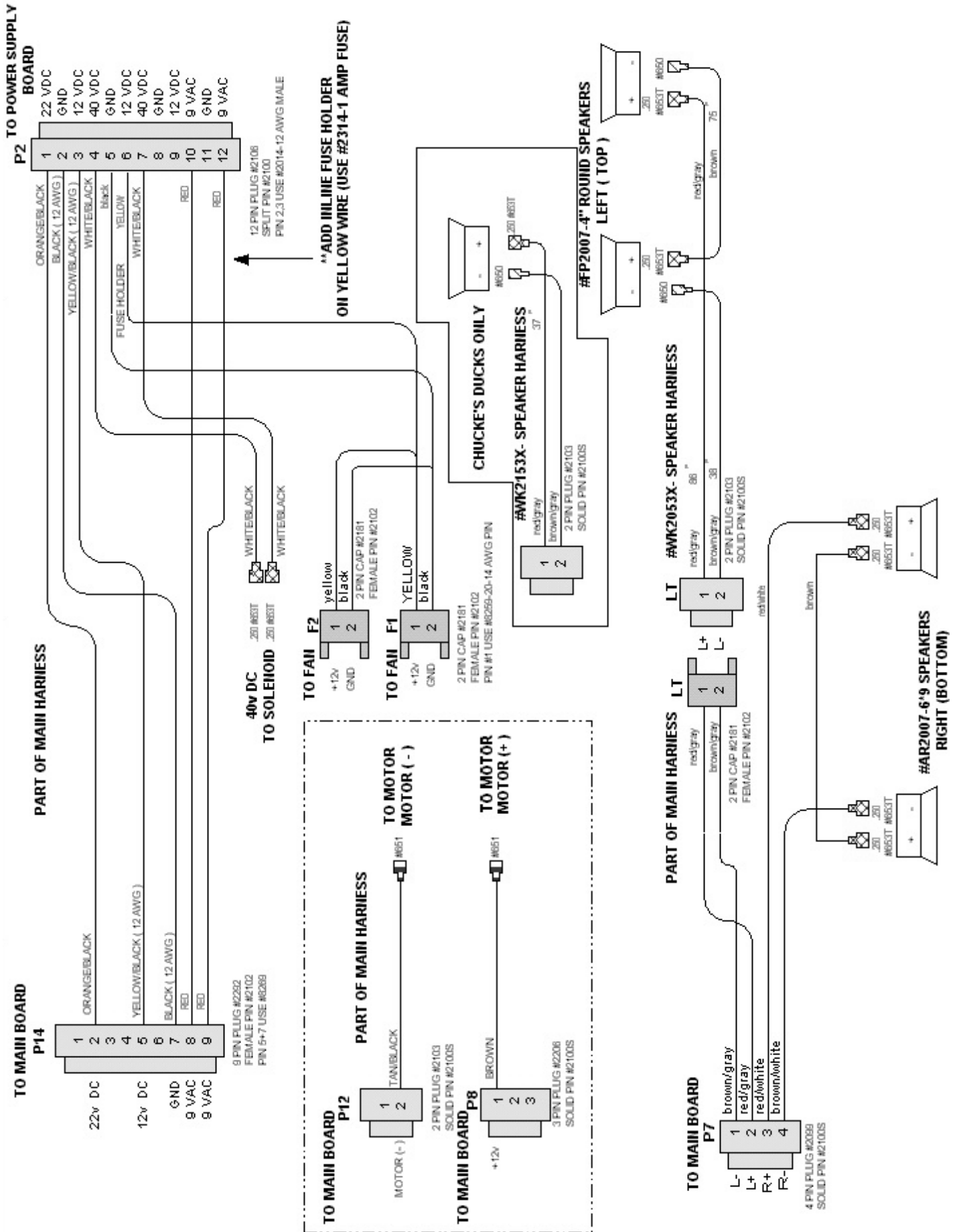


#2289-RESET BUTTON
#1029-RESET BUTTON BRACKET

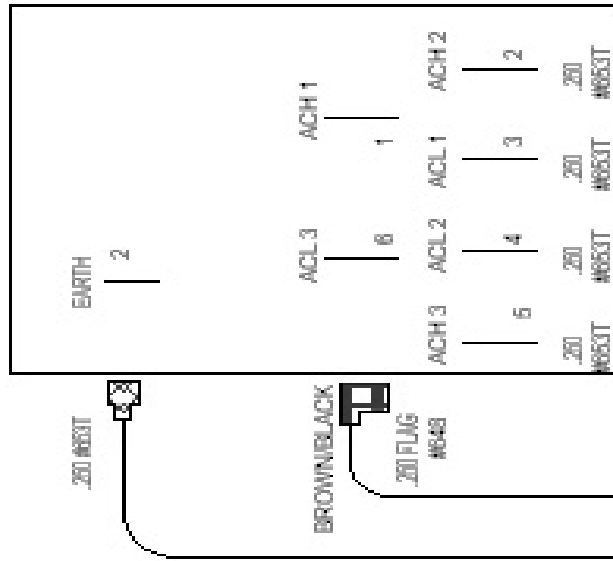
TIME	WACKY DUCKS		FLOWN	WACKY
DESCRIPTION	DOOR 2 (PART OF MAIN CABINET HARNESS)		E	DUCKS.VSD
			DRAWN BY	CHERYLZ1



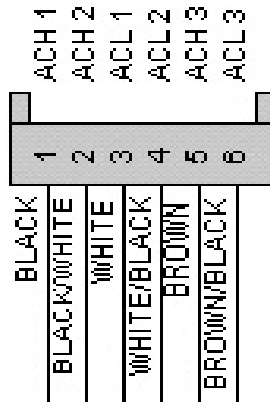
TITLE		Wacky Ducks	
DESCRIPTION	DISPLAY 1, DISPLAY 2 GROUND, BALLAST, SOLENOID (PART OF MAIN HARNESS)	DATE	3/14/00
REVISION	11/14/00	PAGE	3 OF 8
DRAWN BY	CHERYLZ1		
FILE NO	E		



#WK2007X-POWER MODULE ASY



#WK2055X-POWER MODULE HARNESS



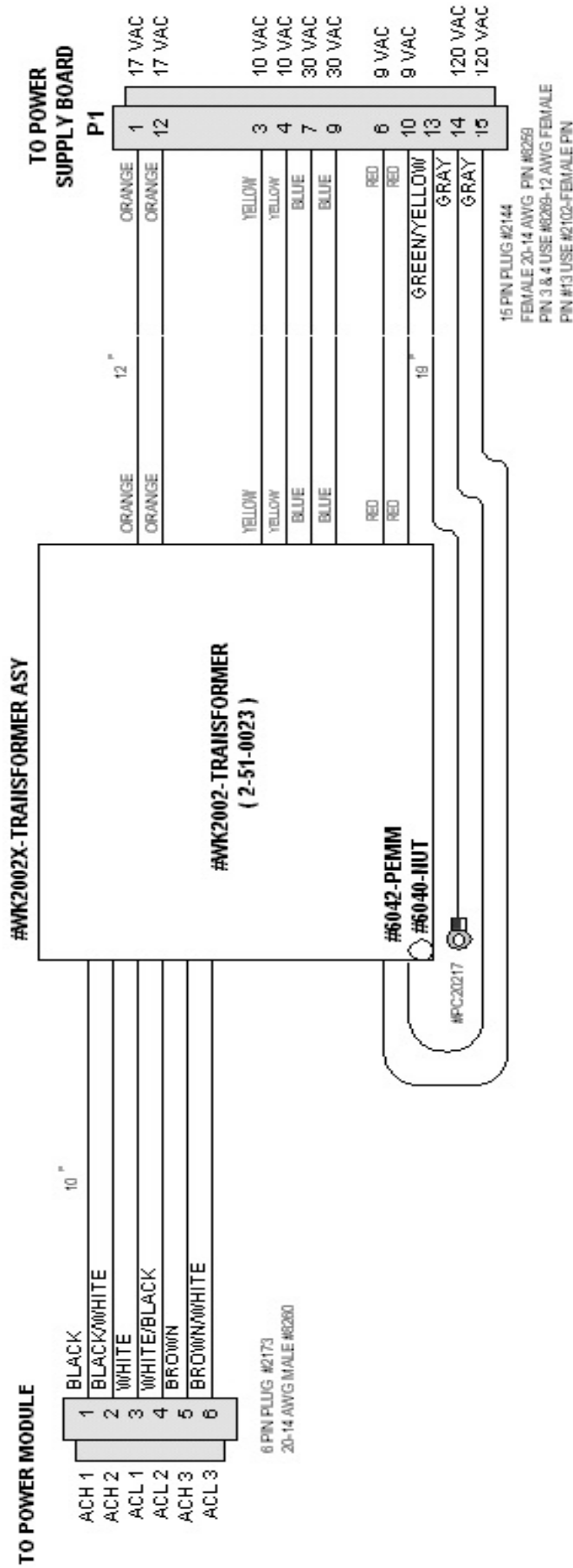
TO TRANSFORMER

6 PIN CAP #2306
FEMALE PIN #2102

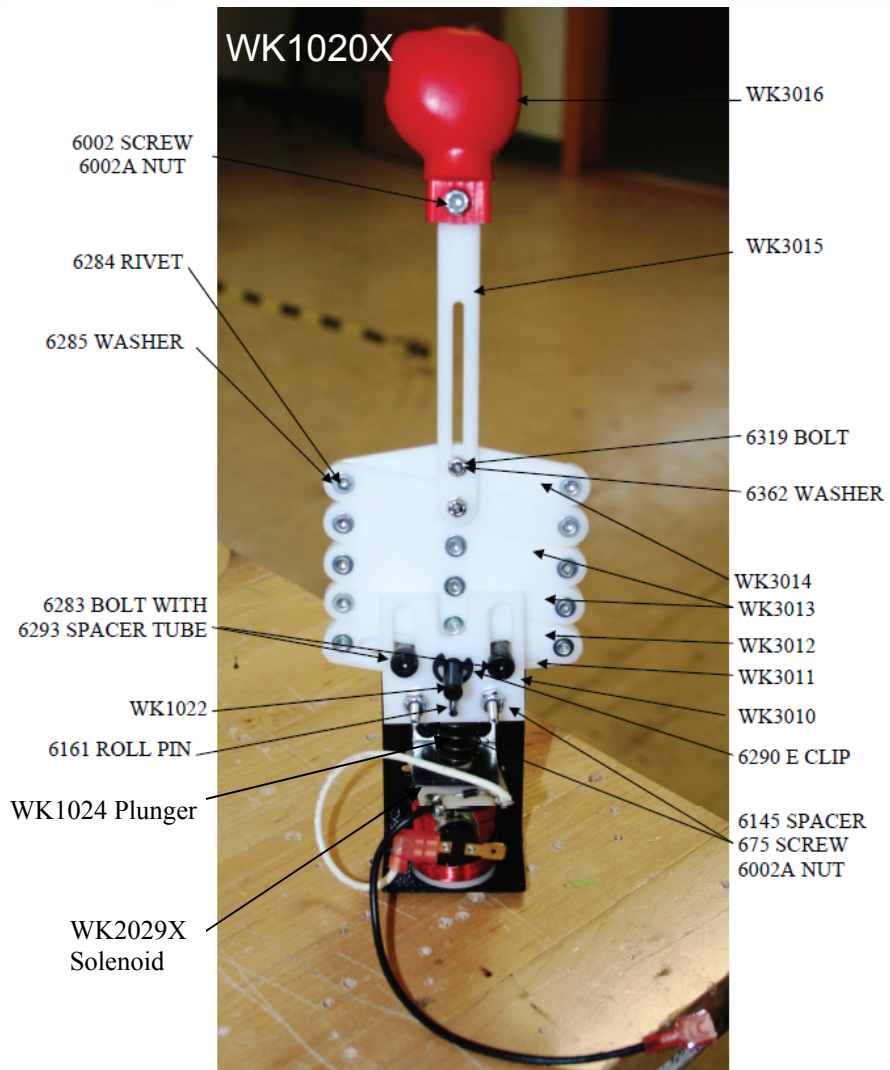
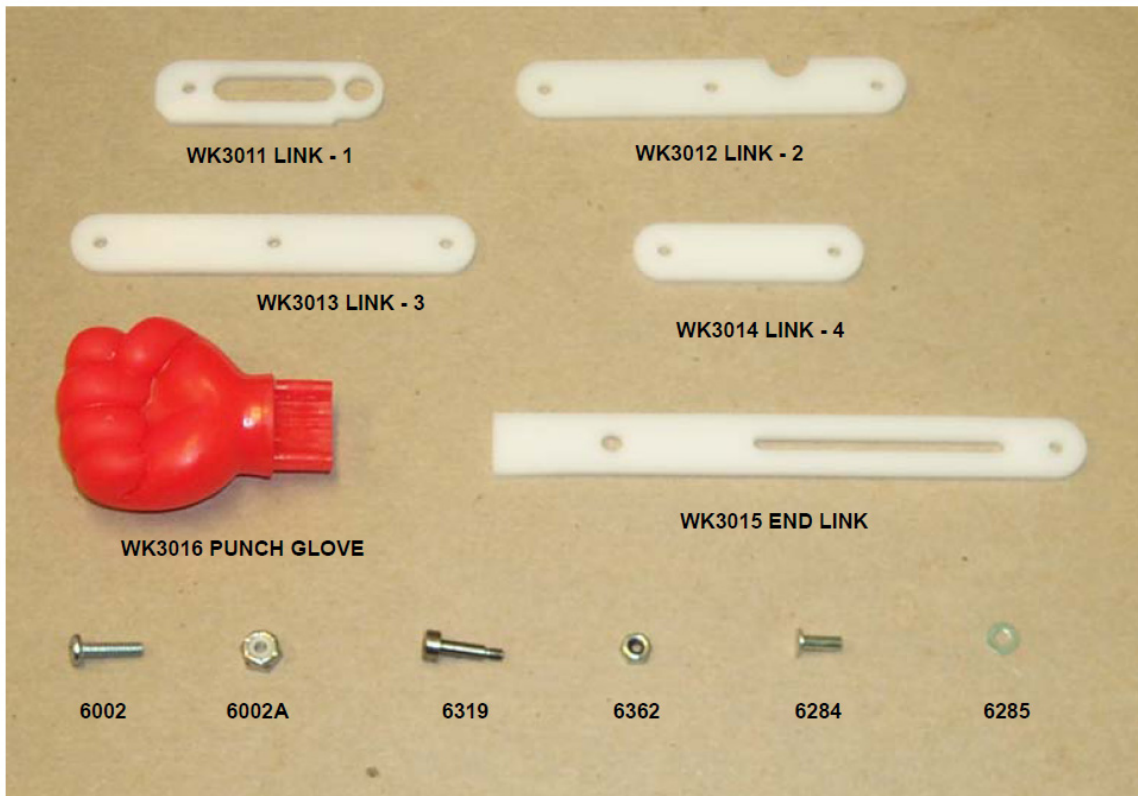
#WK2010X-POWER MODULE GROUND

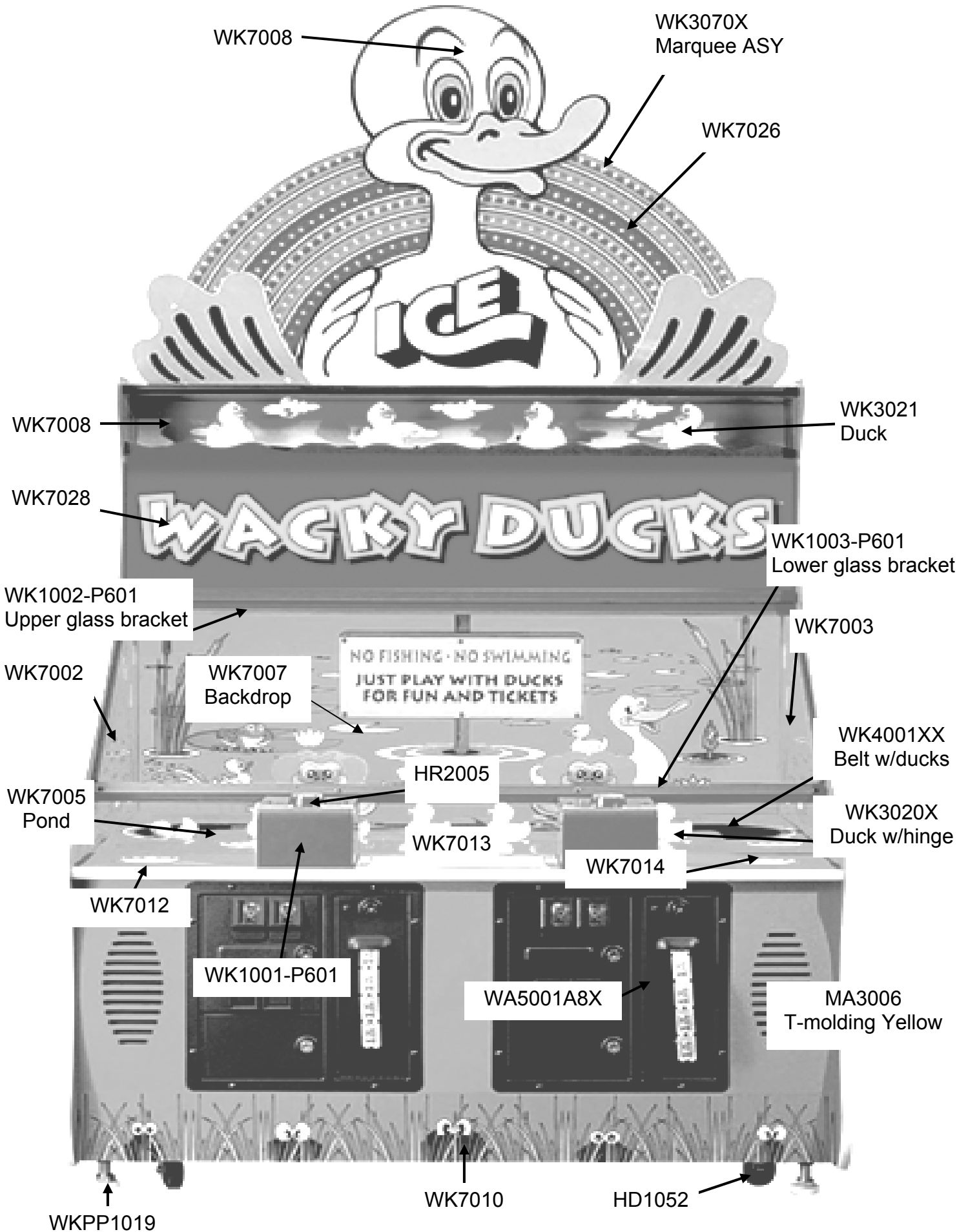


TO MAIN HARNESS



WACKY DUCKS - PUNCHER SPARE PARTS





WK7008

WK3070X
Marquee ASY

WK7026

WK7008

WK3021
Duck

WK7028

WK1003-P601
Lower glass bracket

WK1002-P601
Upper glass bracket

WK7003

WK7002

WK7007
Backdrop

NO FISHING - NO SWIMMING
JUST PLAY WITH DUCKS
FOR FUN AND TICKETS

WK4001XX
Belt w/ducks

WK7005
Pond

HR2005

WK3020X
Duck w/hinge

WK7013

WK7014

WK7012

WK1001-P601

WA5001A8X

MA3006
T-molding Yellow

WKPP1019

WK7010

HD1052



WARRANTY POLICY

I.C.E. Inc warrants all components in new machines to be free of defects in materials and workmanship for the period listed below:

- 180 days on Main PCB's, Computers & Motors
- 1 year on all LCD monitor panels
- 90 days on all other electronic and mechanical components
- 30 days on all I.C.E. repairs and parts purchases

I.C.E. Inc shall not be obligated to furnish a warranty request under the following conditions:

- Equipment or parts have failed through normal wear and tear
- Equipment has been subjected to unwarranted stress, abuse or neglect
- Equipment has been damaged as a result of arbitrary repair/modification

Products will only be covered under warranty by obtaining an I.C.E. authorized RMA #. To obtain an RMA # please provide I.C.E. tech support with the game serial # or original I.C.E. invoice # and a detailed description of the failure or fault symptoms.

I.C.E. Inc will assume no liability whatsoever for costs associated with labor or travel time to replace defective parts. All defective warranty covered components will be replaced with new or factory refurbished components equal to OEM specifications.

I.C.E. Inc will cover domestic UPS ground, or comparable shipping costs during the warranty period. International or expedited shipments are available for an additional charge. To obtain credit defective parts must be returned to I.C.E. Inc, at the customer's expense, within 30 days. After 30 days a 15% re-stocking fee will apply to all returns.

ICE distributors are independent, privately owned and operated. In their judgment, they may sell parts and/or accessories other than those manufactured by I.C.E. Inc. We cannot be responsible for the quality, suitability or safety of any non-I.C.E. part or modification (including labor) that is performed by such a distributor.

**Innovative Concepts in Entertainment
10123 Main St.**

Clarence, NY 14031

Phone #: (716) - 759 - 0360

Fax #: (716) - 759 - 0884

www.icegame.com